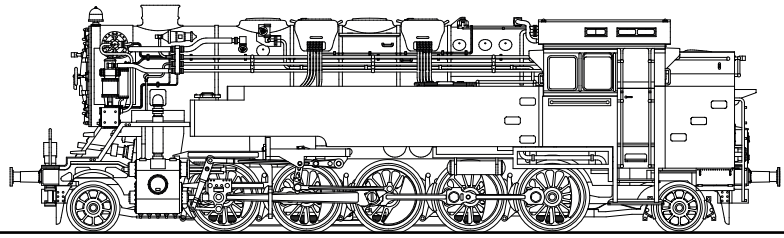
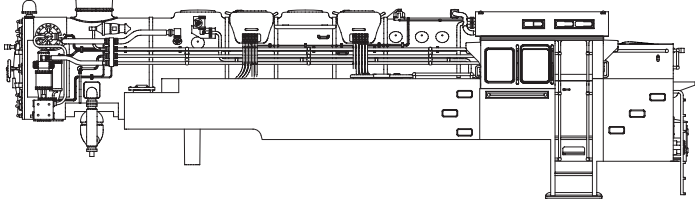
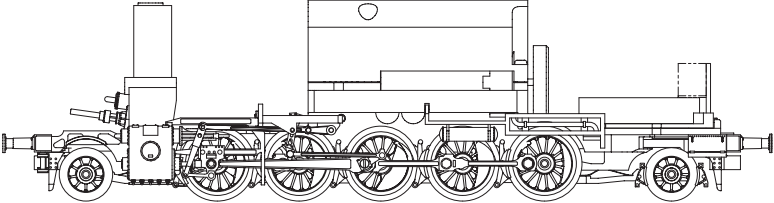
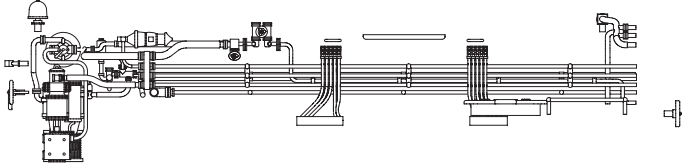

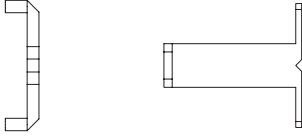





**L131200** Tenderlok Baureihe 84  
84 001, DR, Epoche II

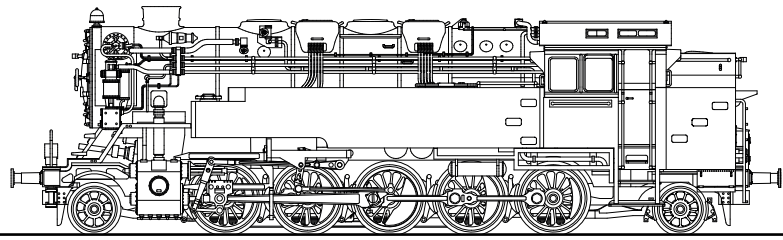
**L131208** Tenderlok Baureihe 84  
in Wechselstrom-Ausführung

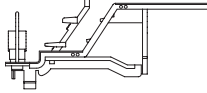
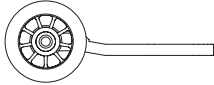
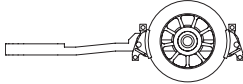

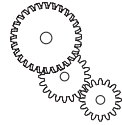
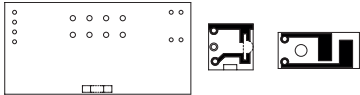
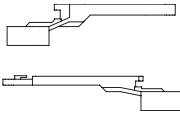
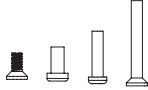
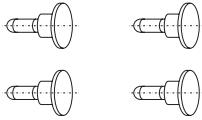
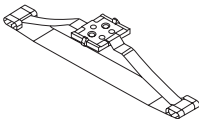
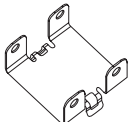
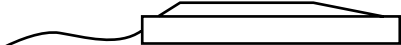


<b>L131200</b> >L31200<	<b>L131208</b> >L31208<		
L31200-110-1	L31200-110-1	Lokgehäuse komplett	Loco body shell complete
			
L31200-140-1	L31208-140-1	Fahrgestell komplett	Chassis complete
			
L31200-139-1	L31200-139-1	Kesselteile	Boiler put up parts
			
L31200-139-2	L31200-139-2	Leiter-Set	Ladder set
			
L31200-170-1	L31200-170-1	Lichtleiter-Set	Light conductor set
			
L31200-910-1	L31208-910-1	Radsatz komplett	Wheel set complete
			
L31200-145-1	L31200-145-1	Zylinder und Gestänge komplett	Cylinder and rod complete
			
L31200-141-1	L31208-141-1	Abdeckplatte mit Radkontakte	Plate with wheel contact
			

**L131200** Tank Loco Class 84  
84 001, DR, Epoch II

**L131208** Tank Loco Class 84  
as AC version



<b>L131200</b> >L31200<	<b>L131208</b> >L31208<			
L31200-126-1	L31200-126-1	Pufferbohle		Buffer beam
L31200-166-1	L31208-166-1	Vorlaufgestell komplett		Front bogie complete
L31200-166-2	L31208-166-2	Nachlaufgestell komplett		Rear bogie complete
L31200-980-1	L31200-980-1	Motor komplett		Motor complete
L31200-990-1	L31200-990-1	Zahnrad-Set mit Achsen		Gear set complete with bolt
L31200-801-1	L31208-801-1	Leiterplatten-Set		PCB-set
L31200-903-1	L31200-903-1	Kupplungsdeichsel-Set mit Feder		Coupling shaft with spring
L31200-940-1	L31200-940-1	Schrauben-Set		Screw set
L39880	L39880	Puffer-Set		Buffer set flat/curved 4 pcs
	L38991	Mittelkontakt-Schleifer		Middle contact
	L31208-855-1	Halter		Holder
	L38970	Digital-Dekoder		Digital decoder